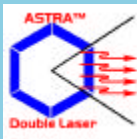


DX6400 DX6500

Compact omni-directional scanners

DATALOGIC
Your Life. Our Enthusiasm™



Unattended Scanning Systems

General Description

The new DX6400 and DX6500 are industrial fixed position barcode readers designed to offer an omni-directional reading solution for small/medium sized conveyors.

Both the DX6400 and DX6500 are based on the high performance 6000 family platform, the same used by DS6300, DS6400 and DS6500. Setup and upgrade for both scanners is easy, using the GENIUS™ SW configurator program with a friendly user interface .

The DX6400 uses the same optic platform as the DS6400, based on FLASH™ dynamic focus, that offers an impressive reading range and is always automatically focused on the object. The DX6400 is the ideal solution for reading on induction lines (up to 500 mm of width), with different sized objects, where the dynamic focus is able to cover the wide reading range necessary.

The DX6500 uses the same optic platform as the DS6500, based on ASTRA™ technology, that offers an impressive real time depth of field, as a result of the electronic switching between two laser diodes. The DX6500 is the ideal solution for high speed sorter applications (width up to 400 mm) where the gap between parcels is reduced. As a result of a special mechanical solution that creates a cross pattern, and high performance ACR™ code reconstruction SW algorithm, the new DX6400 and DX6500 are the ideal solution for omni-directional reading on medium sized conveyors.

Special models of the DX6400 and DX6500 with built-in connectivity to Ethernet and a fully implemented TCP/IP protocol are also offered. The practical display with keyboard increases the scanner's ease of use and offers a simple human interface without the need of a PC.

Features

- > Industrial omni-directional scanner
- > FLASH™ dynamic focus on the DX6400
- > ASTRA™ electronic focus on the DX6500
- > GENIUS™ configuration program
- > Display and 3-key keypad
- > Built-in Ethernet with TCP/IP protocol

Applications

- > Sorting on induction lines with the DX6400
- > Sorting on high speed conveyors with the DX6500
- > Distribution (CDs, books, clothes)
- > Postal applications

DX6400 DX6500

Compact omni-directional scanners

Specifications

ELECTRICAL CHARACTERISTICS

POWER SUPPLY 15 to 30 Vdc
 POWER CONSUMPTION 18 W (22 W max.)

MECHANICAL CHARACTERISTICS

DIMENSIONS 225 x 149.8 x 116.8 mm (8.86 x 5.90 x 4.60 in.)
 WEIGHT 2.1 kg (4.62 lb)
 CASE MATERIAL Aluminium

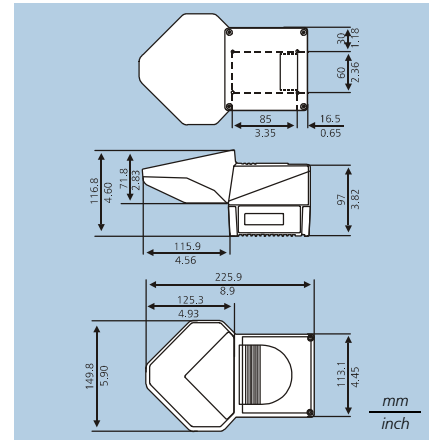
PERFORMANCE

LIGHT SOURCE Visible Laser Diode (650 nm)
 MAX. RESOLUTION 0.38 mm (15 mils)
 SCAN RATE 400 to 750 scan/s (SW adjustable)
 MAX. READING DISTANCE See diagrams
 MAX. DEPTH OF FIELD See diagrams
 MAX. READING FIELD See diagrams
 READABLE CODES All most used symbologies
 MULTILABEL READING Up to 10 different codes in the same reading phase
 MAIN INTERFACE RS232 / RS485 (20 mA C.L. optional)
 AUXILIARY INTERFACE RS232 / RS485 (20 mA C.L. optional)
 OTHER AVAILABLE INTERFACES Lonworks (Master/Slave), Ethernet, Devicenet, Profibus
 BAUD RATE 1,200 to 115,200 bauds
 INPUT SIGNAL 'Presence sensor' plus 3 auxiliary digital inputs
 OUTPUT SIGNALS 3 SW programmable digital outputs
 OPERATING MODES 'On line', 'Serial On line', 'Continuous', 'Test', 'PackTrack'
 DISPLAY 2 lines by 16 characters LCD
 KEYPAD 3 keys
 LED INDICATORS 'Power ON', 'Phase ON', 'TX data'
 LASER CLASSIFICATION IEC 825 Class 2
 LASER CONTROL Security system to turn laser OFF in case of motor slow down

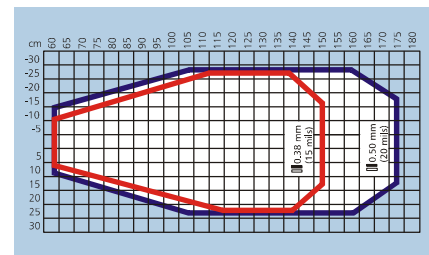
ENVIRONMENT

OPERATING TEMPERATURE 0 to 40 °C (32 to 104 °F)
 STORAGE TEMPERATURE -20 to 70 °C (-4 to 158 °F)
 PROTECTION CLASS IP64 for standard models; IP65 on request

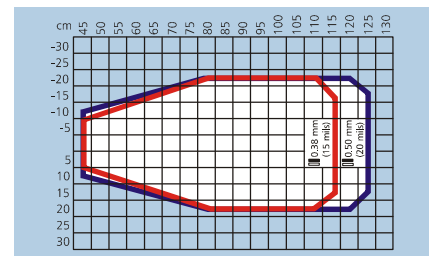
Dimensions



Reading Diagrams



DX6400 reading area with dynamic focusing system



DX6500: Real Time DOF

